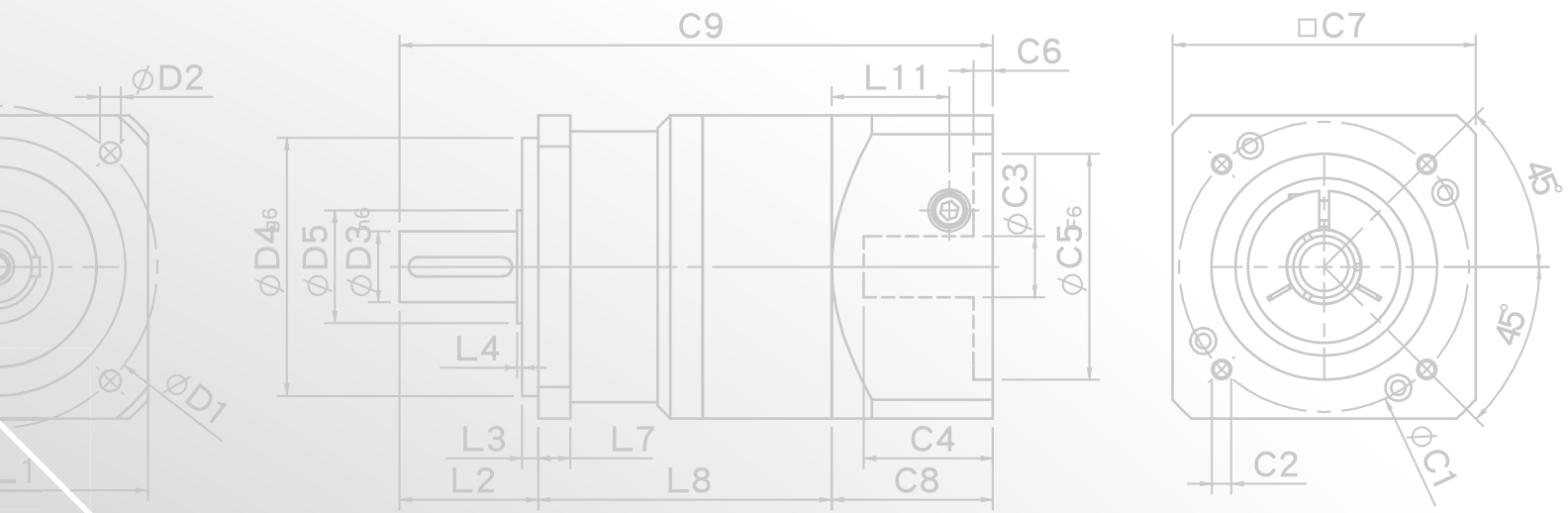
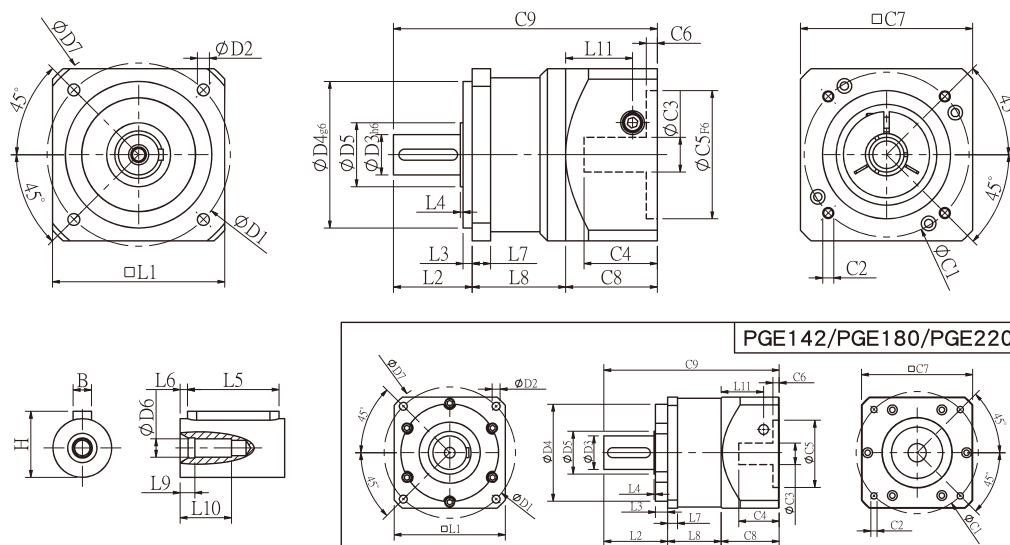


PGE SERIES





PGE Single Stage Dimensions PGE單段外型尺寸圖



Specifications 規格

Unit:mm

尺寸 Dimensions	PGE50	PGE70	PGE90	PGE120	PGE142	PGE180	PGE220
D1	50	70	100	130	165	215	250
D2	3.4	6	6.5	8.5	10.5	13	17
D3 _{h6}	13	16	22	32	40	55	75
D4 _{g6}	35	50	80	110	130	160	180
D5	15	25	35	45	50	70	90
D6	M4x0.7P	M5x0.8P	M8x1.25P	M12x1.75P	M16x2.0P	M20x2.5P	M20x2.5P
D7	64	90	120	152	186	239	292
L1	50	70	94	120	142	182	220
L2	24.5	37	43	60	93	104.5	138
L3	4	7	5	6	8	20	30
L4	1.5	1.5	1.5	3	6	2.5	3
L5	15	25	32	40	60	70	90
L6	2	2	3	5	5	6	7
L7	5	6	10	12	18	16	20
L8	30	36	51	61	79	87.5	117.5
L9	4	4	4.5	6	6	8	7
L10	14	16.5	20.5	30	38	48	42
L11	24.4	31.5	36.5	42	63	69.5	102.2
C1 ²	46	70	90	115	145	200	235
C2 ²	M4x0.7P	M5x0.8P	M6x1.0P	M8x1.25P	M8x1.25P	M12x1.75P	M12x1.75P
C3 ²	≤8	≤14	≤19/≤24	≤24/≤28	≤35	≤50	≤55
C4 ²	27	35	43	58	66	82	98
C5 ² _{F6}	30	50	70	95	110	114.3	200
C6 ²	4	5	5	8	6	13	12
C7 ²	50	70	94	120	140	182	220
C8 ²	34	44	50	63	80	95	130
C9 ²	88.5	117	144	184	252	287	385.5
B	5	5	6	10	12	16	20
H	15	18	24.5	35	43	59	79.5

★ C1~C9是公製標準馬達連接板尺寸,請依所選用的馬達決定。

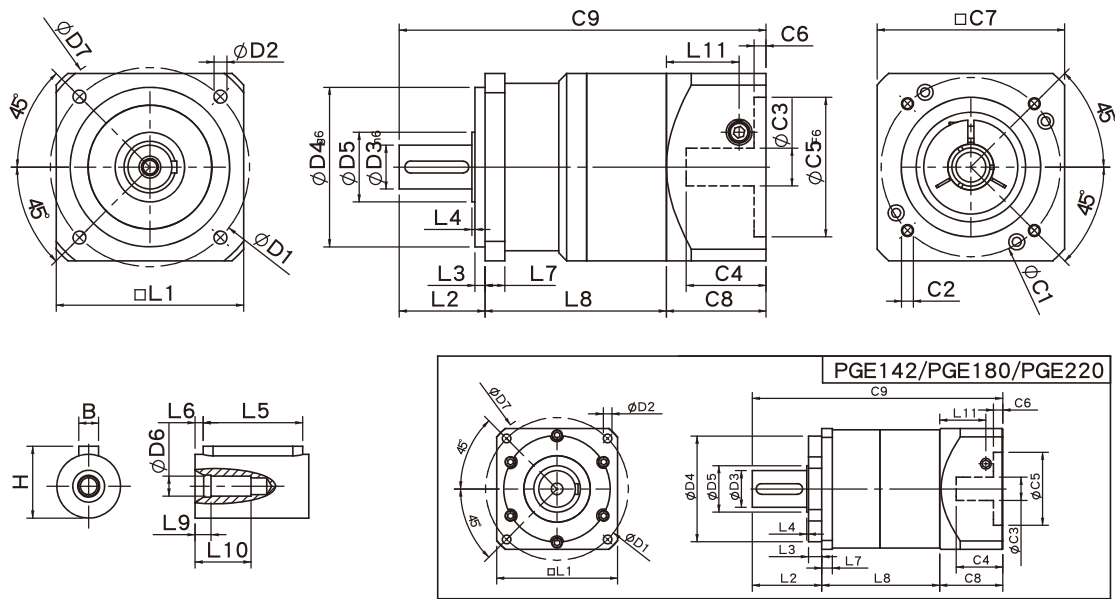
★ 本公司有權針對以上數據規格進行設計變更不先行告知。

★ C1~C9 are motor specific dimensions(metric std shown), Size may vary according to the motor flange chosen.

★ Specification subject to change without notice.

PHL Series
 PHLR Series
 PHF Series
 PGH Series
 PUR Series
 PUL Series
 PGLH Series
 PGL Series
 PGC Series
 PGE Series
 PGRH Series
 PGR Series
 PGRF Series
 PGF Series
 PEL Series
 PEC Series
 PEE Series
 PBC Series
 PBE Series
 PAE Series

PGE Double Stage Dimensions-1 PGE雙段外型尺寸圖-1



Specifications 規格

Unit:mm

尺寸 Dimensions	PGE50	PGE70	PGE90	PGE120	PGE142	PGE180	PGE220
D1	50	70	100	130	165	215	250
D2	3.4	6	6.5	8.5	10.5	13	17
D3 _{h6}	13	16	22	32	40	55	75
D4 _{g6}	35	50	80	110	130	160	180
D5	15	25	35	45	50	70	90
D6	M4x0.7P	M5x0.8P	M8x1.25P	M12x1.75P	M16x2.0P	M20x2.5P	M20x2.5P
D7	64	90	120	152	186	239	292
L1	50	70	94	120	142	182	220
L2	24.5	37	43	60	93	104.5	138
L3	4	7	5	6	8	20	30
L4	1.5	1.5	1.5	3	6	2.5	3
L5	15	25	32	40	60	70	90
L6	2	2	3	5	5	6	7
L7	5	6	10	12	18	16	20
L8	56	64	91	109	140	177.5	232
L9	4	4	4.5	6	6	8	7
L10	14	16.5	20.5	30	38	48	42
L11	24.4	31.5	36.5	42	63	69.5	102.2
C1 ²	46	70	90	115	145	200	235
C2 ²	M4x0.7P	M5x0.8P	M6x1.0P	M8x1.25P	M8x1.25P	M12x1.75P	M12x1.75P
C3 ²	≤8	≤14	≤19/≤24	≤24/≤28	≤35	≤50	≤55
C4 ²	27	35	43	58	66	82	98
C5 ² _{F6}	30	50	70	95	110	114.3	200
C6 ²	4	5	5	8	6	13	12
C7 ²	50	70	94	120	140	182	220
C8 ²	34	44	50	63	80	95	130
C9 ²	114.5	145	184	232	313	377	500
B	5	5	6	10	12	16	20
H	15	18	24.5	35	43	59	79.5

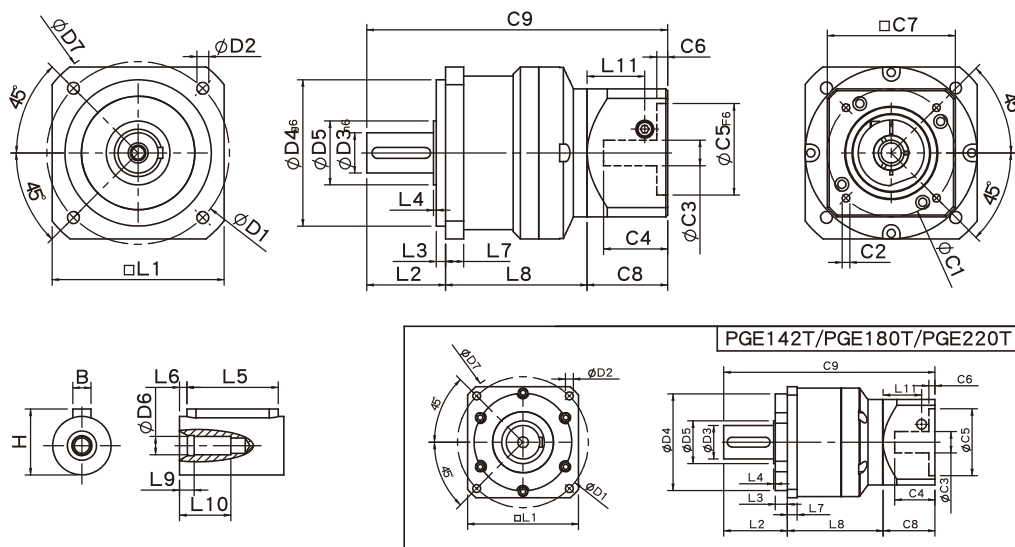
★ C1~C9是公製標準馬達連接板尺寸,請依所選用的馬達決定。

★ 本公司有權針對以上數據規格進行設計變更不先行告知。

★ C1~C9 are motor specific dimensions(metric std shown), Size may vary according to the motor flange chosen.

★ Specification subject to change without notice.

PGE Double Stage Dimensions-2 PGE雙段外型尺寸圖-2



Specifications 規格

Unit:mm

尺寸 Dimensions	PGE70T	PGE90T	PGE120T	PGE142T	PGE180T	PGE220T
D1	70	100	130	165	215	250
D2	6	6.5	8.5	10.5	13	17
D3 _{h6}	16	22	32	40	55	75
D4 _{g6}	50	80	110	130	160	180
D5	25	35	45	50	70	90
D6	M5x0.8P	M8x1.25P	M12x1.75P	M16x2.0P	M20x2.5P	M20x2.5P
D7	90	120	152	186	239	292
L1	70	94	120	142	182	220
L2	37	43	60	93	104.5	138
L3	7	5	6	8	20	30
L4	1.5	1.5	3	6	2.5	3
L5	25	32	40	60	70	90
L6	2	3	5	5	6	7
L7	6	10	12	18	16	20
L8	58.8	77.5	99.4	127	157	199.5
L9	4	4.5	6	6	8	7
L10	16.5	20.5	30	38	48	42
L11	29	35.5	40.5	42	63	69.5
C1 ²	46	70	90	115	145	200
C2 ²	M4x0.7P	M5x0.8P	M6x1.0P	M8x1.25P	M8x1.25P	M12x1.75P
C3 ²	≤8	≤14	≤19/≤24	≤24/≤28	≤35	≤50
C4 ²	28.5	41	47.75	58	66	82
C5 ² _{F6}	30	50	70	95	110	114.3
C6 ²	5.5	8	6	8	6	13
C7 ²	50	70	94	120	140	182
C8 ²	40	50	55	63	80	95
C9 ²	135.8	170.5	214.4	283	341.5	432.5
B	5	6	10	12	16	20
H	18	24.5	35	43	59	79.5

★ C1~C9是公製標準馬達連接板尺寸,請依所選用的馬達決定。

★ 本公司有權針對以上數據規格進行設計變更不先行告知。

★ C1~C9 are motor specific dimensions(metric std shown), Size may vary according to the motor flange chosen.

★ Specification subject to change without notice.

PGE Specifications Table PGE性能規格共表

規格 Specifications		節數 Stage	減速比 Ratio	PGE-50	PGE-70	PGE-90	PGE-120	PGE-142	PGE-180	PGE-220	
額定輸出力矩 T _{2N} Nominal Output Torque	N • m	1	3	13.8	44.2	95.2	283	482	1151	1670	
			4	11.9	35.9	74.6	249	490	1055	1574	
			5	13.8	43.0	95.2	283	473	1151	1670	
			7	11.9	36.0	85.6	219	400	1055	1574	
			10	10.1	25.0	75.0	210	320	763	1184	
		2	節數 Stage	減速比 Ratio	PGE-50	PGE-70(T)	PGE-90(T)	PGE-120(T)	PGE-142(T)	PGE-180(T)	PGE-220(T)
			15	13.8	44.2	95.2	283	482	1151	1670	
			20	11.9	35.9	74.6	249	490	1055	1574	
			25	13.8	43.0	95.2	283	473	1151	1670	
			30	13.8	43.0	95.2	283	473	1151	1670	
			35	13.8	43.0	95.2	283	473	1151	1670	
			40	13.8	43.0	95.2	283	473	1151	1670	
			50	13.8	43.0	95.2	283	473	1151	1670	
			70	11.9	36.0	85.6	219	400	1055	1574	
100	10.1	25.0	75.0	210	320	763	1184				
急停力矩 T _{2NOT} Emergency Stop Torque	N • m	3.0 倍額定輸出力矩 (3.0 times of Nominal Output Torque) (* 最大輸出力矩 Max. Output Torque T _{2B} =60% of Emergency Stop Torque)									
額定輸入轉速 n _{1N} Nominal Input Speed	rpm	1,2	3-100	3000	3000	3000	2500	2000	2000	2000	
最大輸入轉速 n _{1max} Max. Input Speed	rpm	1,2	3-100	6000	6000	6000	5000	4000	4000	4000	
超精密背隙 Micro Backlash P0	arcmin	1	3-10	-	-	-	≤ 3	≤ 3	≤ 3	≤ 3	
		2	12-100	-	-	-	≤ 5	≤ 5	≤ 5	≤ 5	
精密背隙 Precision Backlash P1	arcmin	1	3-10	-	≤ 6	≤ 6	≤ 5	≤ 5	≤ 5	≤ 5	
		2	12-100	-	≤ 9	≤ 9	≤ 7	≤ 7	≤ 7	≤ 7	
標準背隙 Standard Backlash P2	arcmin	1	3-10	≤ 12	≤ 9	≤ 9	≤ 7	≤ 7	≤ 7	≤ 7	
		2	12-100	≤ 15	≤ 12	≤ 12	≤ 9	≤ 9	≤ 9	≤ 9	
扭轉剛性 Torsional Rigidity	N • m /arcmin	1,2	3-100	1.0	2.8	7.5	15.5	30	57	110	
容許彎曲力矩 M _{2kB} ¹ Max. Bending Moment	N • m	1,2	3-100	350	960	1630	3380	6150	7260	11120	
容許軸向力 F _{2aB} ¹ Max. Axial Load	N	1,2	3-100	320	900	1420	2930	5510	5550	8560	
使用溫度 Operating Temp.	°C		3-100	-10 °C ~ +90 °C							
使用壽命 Service Life	hr		3-100	20,000 (10,000/ 連續運轉 Continuous operation)							
效率 Efficiency	%	1	3-10	≥ 96%							
		2	12-100	≥ 92%							
重量 Weight	kg	1	3-10	0.7	1.4	3.0	7.3	15.6	26	56	
		2	12-100	0.9	2.2/1.7	5.0/3.4	11.5/8.5	20.7/17.2	36/31	80/62	
安裝方向 Mounting Position	-	1,2	3-100	任意方向 Any direction							
噪音值 Noise Level ²	dB(A)/1m	1,2	3-100	60	62	65	65	70	70	75	
防護等級 Protection Class	-	1,2	3-100	IP65							
潤滑 Lubrication	-	1,2	3-100	全合成潤滑油 Synthetic Lubricant							
減速機轉動慣量 Inertia(J1)											
節數 Stage	減速比 Ratio	單位 unit	PGE-50	PGE-70	PGE-90	PGE-120	PGE-142	PGE-180	PGE-220		
1	3	Kg • cm ²	0.03	0.20	0.81	2.20	7.89	25.2	77.9		
	4		0.02	0.16	0.65	1.80	5.83	19.8	56.5		
	5		0.02	0.15	0.62	1.61	5.38	18.3	53.3		
	7		0.02	0.14	0.60	1.55	5.22	17.8	53.0		
	10		0.02	0.14	0.60	1.53	5.20	17.6	52.9		
節數 Stage	減速比 Ratio	PGE-50	PGE-70(T)	PGE-90(T)	PGE-120(T)	PGE-142(T)	PGE-180(T)	PGE-220(T)			
2	15/20/25	0.02	0.15(0.02)	0.62(0.15)	1.61(0.62)	5.38(1.61)	18.3(5.38)	53.9(18.3)			
	30/35/40	0.02	0.14(0.02)	0.60(0.14)	1.55(0.60)	5.22(1.55)	17.8(5.22)	53.0(17.8)			
	50/70/100	0.02	0.14(0.02)	0.60(0.14)	1.53(0.60)	5.20(1.53)	17.6(5.20)	52.9(17.6)			

* 1. 輸出轉速 100rpm 時,作用於輸出軸中心位置 Applied to the output shaft center @100rpm. * 2. 3000rpm 空載重測 Measured at 3000rpm with no load
 * 3. PGL60T - □□ - P1、PGL90T - □□ - P1及PGL115T - □□ - P0、不適用上表。PGL60T - □□ - P1、PGL90T - □□ - P1, and PGL115T - □□ - P0, are not applicable.
 ※本公司有權對以上數據規格逕行設計變更不先行告知。 The above figures/specifications are subject to change without prior notice.