

# D206

D209 - D210  
D211 - D-BASE

## 2 SPOKE CONTROL HANDWHEEL WITH REVOLVING HANDLE

**Material:**

Reinforced and stabilised polyamide.  
Oils and greases resistant.

**Surface:** Satin.

**Colour:** Black (RAL 9011).

**Central Cap:**

Grey polyamide (RAL 7035 cod. 13).

**Alternative Cap Colour:**

- Orange (RAL 2004 cod. 02)
- Blue (RAL 5015 cod. 07)
- Yellow (RAL 1021 cod. 10)
- Red (RAL 3000 cod. 16)
- Green (RAL 6024 cod. 17)
- Black (RAL 9011 cod. 01)

**Main Insert:**

Zinc plated steel insert with smooth through-hole (H10 tolerance).

**Side Insert:**

Brass right through threaded bush.

**Side handle:**

Revolving handle M144 (pag. M-08).

**Hub:**

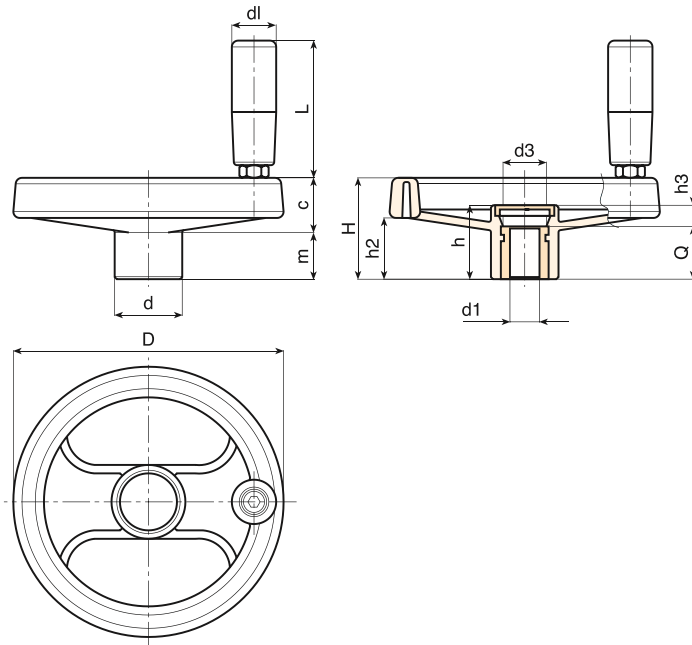
Solid hub.  
(\*) Hollow underneath hub.

*For fixing system, or execution of keyway or square holes, please refer to the technical notes attached to the catalogue.*

**SPECIAL REQUEST:**

- It's possible to supply the inserts with d1 bore by customer design, on request and for quantities.
- It's possible to supply the inserts in different material and treatment-finishes, on request and for quantities.
- It's possible to supply the products with colours (reduced range) as shown in the table at page D-19, on request and for quantities.

**Version with zinc plated insert and H10 tolerance bore**



	Art.	D	H	h	d	m	c	h2	h3	d3	dl	L	Dm	d1 H10	Q	g
●	D206080.TP0501P	80	34	26	24,5	16	18	20	6	16	20	56	12	05	20	125
●	D206080.TD0801P	80	34	26	24,5	16	18	20	6	16	20	56	12	08	20	122
●	D206080.TP1001P	80	34	26	24,5	16	18	20	6	16	20	56	12	10	20	119
●	D206100.TP0501P	99	43	33	28	20	23	26,5	9	16	20	56	16	05	24	182
●	D206100.TD0801P	99	43	33	28	20	23	26,5	9	16	20	56	16	08	24	182
●	D206100.TD1001P	99	43	33	28	20	23	26,5	9	16	20	56	16	10	24	179
●	D206100.TD1201P	99	43	33	28	20	23	26,5	9	16	20	56	16	12	24	177
●	D206130.TP0501P	129	50	36	32	21	29	32	12	26	21	65	18	05	24	296
●	D206130.TD0801P	129	50	36	32	21	29	32	12	26	21	65	18	08	24	293
●	D206130.TD1001P	129	50	36	32	21	29	32	12	26	21	65	18	10	24	291
●	D206130.TD1201P	129	50	36	32	21	29	32	12	26	21	65	18	12	24	289
●	D206160.TD0801P	159	57	40,5	40	22	35	34	8,5	26	23	76	22	08	32	458
●	D206160.TD1401P	159	57	40,5	40	22	35	34	8,5	26	23	76	22	14	32	450
●	D206160.TD2001P	159	57	40,5	40	22	35	34	8,5	26	23	76	22	20	32	446
●	D206200.TD0801P	198	61,5	39,5	51	17,5	44	33	7,5	26	23	76	22	(*) 08	32	700
●	D206200.TD1601P	198	61,5	39,5	51	17,5	44	33	7,5	26	23	76	22	(*) 16	32	690
●	D206200.TD2001P	198	61,5	39,5	51	17,5	44	33	7,5	26	23	76	22	(*) 20	32	685
●	D206250.TD0801P	252	70	47	55,5	24	46	39	11	24	25	86	28	(*) 08	36	1030
●	D206250.TD2001P	252	70	47	55,5	24	46	39	11	24	25	86	28	(*) 20	36	1015
●	D206350.TD0801P	346	80	49,5	67,5	24	56	43,5	17,5	35	25	86	30	(*)(+) 08	32	1640

Attention: replace the two places in the code .. with the hole diameter required - 50 pieces minimum.

Dm = It's possible to increase the hole, by boring, until Dm (enlarge).

A.R. = By request