

A592 CIN



INOX

ZAMAK ALLOY INDEXED CLAMPING LEVER WITH STAINLESS STEEL FEMALE THREADED INSERT

A

Material:
Die cast Zamak lever body (zinc, aluminium, copper alloy).

Surface:
Smooth. Epoxy-powder painting finish.

Lever body colours:
Shiny Black (RAL 9005 cod. 01)
Matt Black (RAL 9005 cod. 20)
Orange (RAL 2004 cod. 02)
Grey (RAL 7031 cod. 80)
Silver (RAL 9006 cod. 83)
Red (RAL 3000 cod. 16)
Blue (RAL 5015 cod. 07)
Natural Zamak (cod. GRE)

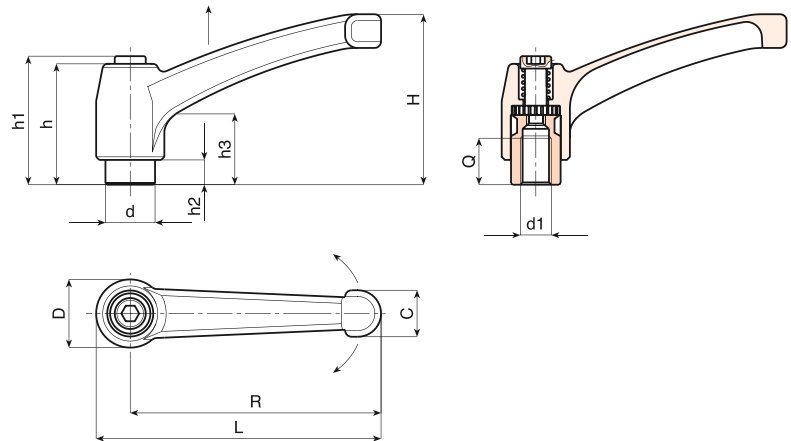
Main insert:
Stainless steel insert, with blind threaded bore. (Aisi 303) (Thread tolerance 6H).

Fixing screw:
Stainless steel screw with hexagon socket head. (Aisi 304).

Spring:
Stainless steel spring (AISI 302).

SPECIAL REQUESTS:

- None.



Art.	L	R	H	D	d	c	h	h1	h2	h3	d1 16H	Q	g
A592043.ZM05..CIN	50	43	30	14	10	9	26	30	5	14	M05	9	30
A592043.ZM06..CIN	50	43	30	14	10	9	26	30	5	14	M06	9	28
A592065.ZM06..CIN	75	65	45	19	14	13	32	34	7	14	M06	10	78
A592065.ZM08..CIN	75	65	45	19	14	13	32	34	7	14	M08	10	76
A592065.ZM10..CIN	75	65	45	19	14	13	32	34	7	14	M10	10	74
A592080.ZM08..CIN	91	80	57	22	16	16	40	42	8	16	M08	14	134
A592080.ZM10..CIN	91	80	57	22	16	16	40	42	8	16	M10	13	130
A592080.ZM12..CIN	91	80	57	22	16	16	40	42	8	16	M12	12	128
A592094.ZM10..CIN	107	94	65	26	20	18	47	50	10,5	19	M10	17	191
A592094.ZM12..CIN	107	94	65	26	20	18	47	50	10,5	19	M12	17	195
A592094.ZM14..CIN	107	94	65	26	20	18	47	50	10,5	19	M14	17	190
A592108.ZM14..CIN	123	108	75	30	23	20	54	56	12	23	M14	26	298
A592108.ZM16..CIN	123	108	75	30	23	20	54	56	12	23	M16	26	284

Enter the colour choice in the two .. of the article code. Example: Red lever R80 M10 - A592080.ZM1016CIN