

A580



“EUROMODEL” INDEXED CLAMPING LEVER WITH THREADED FEMALE INSERT

A

Material:

Special high resistance glass fiber reinforced technopolymer. Oils and greases resistant.

Surface:

Satin.

Lever body and insert colour:

Black (RAL 9011).

Main insert:

Zinc plated steel insert with threaded blind bore. (Thread tolerance 6H).

Fixing screw:

Black-oxide treated steel screw with hexagon socket head.

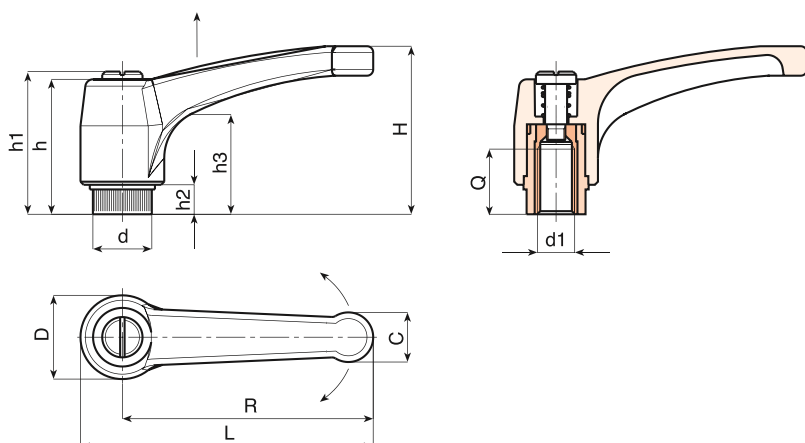
(*) Black-oxide treated steel screw with slotted head.

Spring:

Stainless steel spring (AISI 302).

Alternative colours for lever body:

Orange (RAL 2004 cod. 02)
 Blue (RAL 5015 cod. 07)
 Yellow (RAL 1021 cod. 10)
 Red (RAL 3000 cod. 16)
 Green (RAL 6024 cod. 17)
 Grey (RAL 7035 cod. 13)



SPECIAL REQUESTS:

- It's possible to supply the inserts with different materials, on request and for quantities.
- It's possible to supply the lever body with colours as shown in the table at page A-31 on request and for quantities.

	Art.	L	R	H	D	d	c	h	h1	h2	h3	d1 6H	Q	g
●	A580043.TM0401	51	43	33	17	11,5	9	29	32	6	18	M04	8	15
●	A580043.TM0501	51	43	33	17	11,5	9	29	32	6	18	M05	10	15
●	A580043.TM0601	51	43	33	17	11,5	9	29	32	6	18	M06	10	14
●	* A580052.TM0601	63	52	41	22	15	12	36	40	8	23	M06	14	31
●	* A580052.TM0801	63	52	41	22	15	12	36	40	8	23	M08	14	30
●	* A580052.TM1001	63	52	41	22	15	12	36	40	8	23	M10	14	30
●	A580065.TM0601	76	65	43	23	15	13	36	40	8	24	M06	14	36
●	A580065.TM0801	76	65	43	23	15	13	36	40	8	24	M08	14	35
●	A580065.TM1001	76	65	43	23	15	13	36	40	8	24	M10	14	35
●	A580080.TM0801	93	80	54	27	19	15,5	44	48	8,5	29	M08	19	55
●	A580080.TM1001	93	80	54	27	19	15,5	44	48	8,5	29	M10	19	54
●	A580080.TM1201	93	80	54	27	19	15,5	44	48	8,5	29	M12	19	54
●	* A580094.TM0801	109	94	56	30	19	18	45	49	9	30	M08	19	80
●	* A580094.TM1001	109	94	56	30	19	18	45	49	9	30	M10	19	81
●	* A580094.TM1201	109	94	56	30	19	18	45	49	9	30	M12	19	83
●	A580108.TM1201	125	108	64	34	24	21	51	55	10	35	M12	22	144
●	A580108.TM1401	125	108	64	34	24	21	51	55	10	35	M14	21	146
●	A580108.TM1601	125	108	64	34	24	21	51	55	10	35	M16	23	149