

A563 CIN



INOX

INDEXED CLAMPING LEVER WITH PLASTIC PUSH BUTTON AND WITH STAINLESS STEEL THREADED STUD

Material:

Special high resistance glass fiber reinforced technopolymer.
Oils and greases resistant.

Surface:

Satin.

Lever body and insert colour:

Black (RAL 9011).

Main insert:

Stainless steel threaded stud (AISI 304).
(Thread tolerance 6g).

Push Button:

Push button in black polyamide (RAL 9011).

Alternative colours for lever body and button:

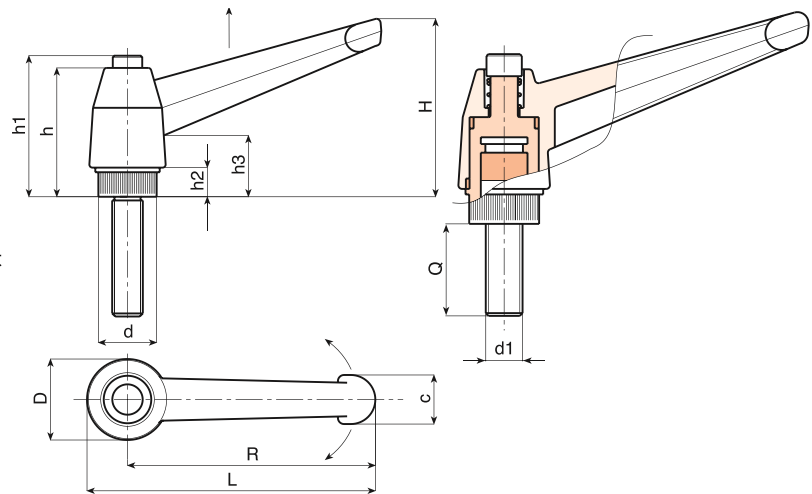
Orange (RAL 2004 cod. 02)
Blue (RAL 5015 cod. 07)
Yellow (RAL 1021 cod. 10)
Red (RAL 3000 cod. 16)
Green (RAL 6024 cod. 17)
Grey (RAL 7035 cod. 13)

Spring:

Stainless steel spring (AISI 302).

SPECIAL REQUESTS:

- It's possible to supply the inserts with different lengths, on request and for quantities.
- It's possible to supply the lever body and button with colours as shown in the table at page A-31 on request and for quantities.



Art.	L	R	H	D	d	c	h	h1	h2	h3	LM	d1 6g	Q	g
A563043.TM04X..01CIN	52	43	33	17	11,5	11	27	30	6	14	75	M04	16-20-30	10-11-12
A563043.TM05X..01CIN	52	43	33	17	11,5	11	27	30	6	14	75	M05	16-20-30	14-15-16
A563043.TM06X..01CIN	52	43	33	17	11,5	11	27	30	6	14	75	M06	16-20-30	15-16-18
A563065.TM06X..01CIN	77	65	45	23	15	13	34	38	8	17	90	M06	16-20-30-40	24-25-27-29
A563065.TM08X..01CIN	77	65	45	23	15	13	34	38	8	17	90	M08	16-20-30-40	27-28-31-34
A563065.TM10X..01CIN	77	65	45	23	15	13	34	38	8	17	90	M10	16-20-30-40	30-33-38-43
A563083.TM08X..01CIN	97	83	57	27	19	16	43	47	10	23	90	M08	20-30-40-50	44-47-50-53
A563083.TM10X..01CIN	97	83	57	27	19	16	43	47	10	23	90	M10	20-30-40-50	52-57-62-67
A563083.TM12X..01CIN	97	83	57	27	19	16	43	47	10	23	90	M12	20-30-40-50	61-64-71-78
A563104.TM12X..01CIN	121	104	70	33	24	19	50	53	11	26	100	M12	20-30-40-50	86-93-101-108
A563104.TM14X..01CIN	121	104	70	33	24	19	50	53	11	26	100	M14	20-30-40-50	92-102-112-122
A563104.TM16X..01CIN	121	104	70	33	24	19	50	53	11	26	100	M16	20-30-40-50	111-122-134-146

Enter the stud length choice in the two .. of the article code. Lengths by request with 50 pieces minimum quantity.

LM = Maximum mouldable length.

Presumable presence in the stock in %
90% ● 40% ● 5% ●