

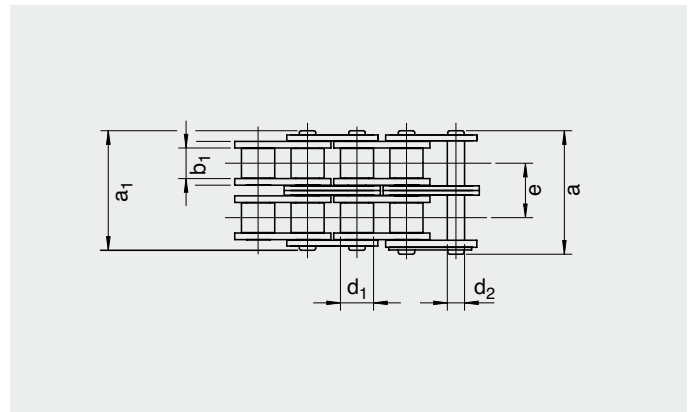
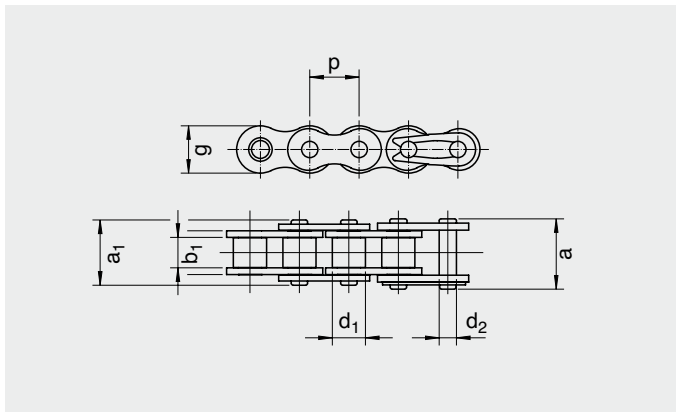


iwis Customer Service

CallBack Tel: +49 89 76909-1600 Fax: -1198
sales-muenchen@iwis.com

iwis reference	ISO	Pitch p (mm)	Inner width b1 min. (mm)	Roller d1 max. (mm)	Pin d2 max. (mm)	Pin length a1 max. (mm)	Pin length conn. link** a max. (mm)	Plate height g (mm)	Transverse pitch e (mm)	Breaking strength min. (N)	Article No.
CF Stainless Steel Chains											
G 67 CF*	06 B-1	9.525	5.72	6.35	3.28	13.5	16.8	8.2	-	6,400	40008144
D 67 CF*	06 B-2	9.525	5.72	6.35	3.28	23.8	27.1	8.2	10.24	11,000	40008147
L 85 CF	08 B-1	12.70	7.75	8.51	4.45	17.0	20.7	11.8	-	12,500	40008216
D 85 CF	08 B-2	12.70	7.75	8.51	4.45	31.0	34.9	11.8	13.92	22,000	40008149
M 106 CF	10 B-1	15.875	9.65	10.16	5.08	19.6	23.7	14.7	-	16,000	40008152
D 106 CF	10 B-2	15.875	9.65	10.16	5.08	36.2	40.3	14.7	16.59	29,000	40008153
M 127 CF	12 B-1	19.05	11.68	12.07	5.72	22.7	27.3	16.1	-	20,000	40008154
D 127 CF	12 B-2	19.05	11.68	12.07	5.72	42.2	46.8	16.1	19.46	35,000	40008156
M 1611 CF	16 B-1	25.40	17.02	15.88	8.28	36.1	41.5	21.0	-	40,000	40008157
D 1611 CF	16 B-2	25.40	17.02	15.88	8.28	67.0	73.4	21.0	31.88	85,000	40008158

* With straight side plates ** a = Conn. link with spring clip CF = corrosion-free



CF Stainless Steel Chains



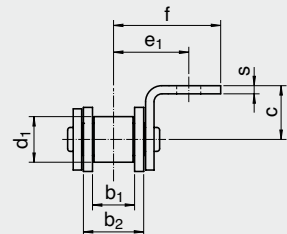
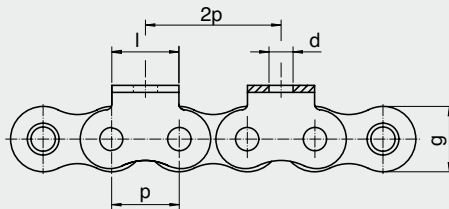


iwis® CF Stainless Steel Chains with narrow bent attachments according to ISO 606

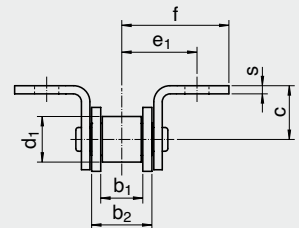
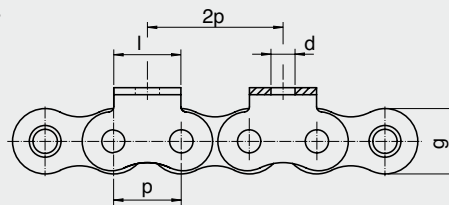
iwis reference	ISO	Inner width b1 min. (mm)	Roller Ø d1 max. (mm)	Pin Ø d2 max. (mm)	Pin length a1 max. (mm)	Plate height g (mm)	Transverse pitch e (mm)	Breaking strength min. (N)	c (mm)	d (mm)	Attachment dimension **				
											e1 (mm)	f (mm)	l (mm)	s (mm)	
CF Stainless Steel Chains with narrow bent attachments															
G 67 CF*	06 B-1	5.72	6.35	3.28	13.5	8.2	-	6,400	6.5	3.5	9.5	13.5	8.0	1.1	
D 67 CF*	06 B-2	5.72	6.35	3.28	23.8	8.2	10.24	11,000	6.5	3.5	-	-	8.0	1.1	
L 85 CF	08 B-1	7.75	8.51	4.45	17.0	11.8	-	12,500	10.0	4.5	13.1	19.0	12.5	1.5	
D 85 CF	08 B-2	7.75	8.51	4.45	30.8	11.8	13.92	22,000	10.0	4.5	-	-	12.5	1.5	
M 106 CF	10 B-1	9.65	10.16	5.08	19.6	14.7	-	16,000	10.0	5.5	16.7	27.0	15.0	1.7	
D 106 CF	10 B-2	9.65	10.16	5.08	36.2	14.7	16.59	29,000	10.0	5.5	-	-	15.0	1.7	
M 127 CF	12 B-1	11.68	12.07	5.72	22.7	16.1	-	20,000	11.0	6.6	18.6	29.0	18.5	1.8	
D 127 CF	12 B-2	11.68	12.07	5.72	42.2	16.1	19.46	35,000	11.0	6.6	-	-	18.5	1.8	
M 1611 CF	16 B-1	17.02	15.88	8.28	36.1	21.0	-	40,000	18.0	9.0	28.9	41.8	25.0	3.0	
D 1611 CF	16 B-2	17.02	15.88	8.28	67.0	21.0	31.88	85,000	18.0	9.0	-	-	25.0	3.0	

* With straight side plates ** Other dimensions also available on request CF = corrosion-free

Design A
Bent attachment on one side
2020.1



Design B
Bent attachment on both sides
2020.1



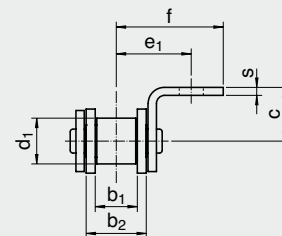
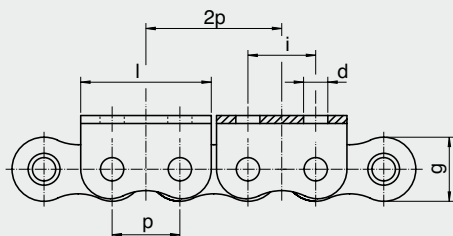


iwis® CF Stainless Steel Chains with wide bent attachments according to ISO 606

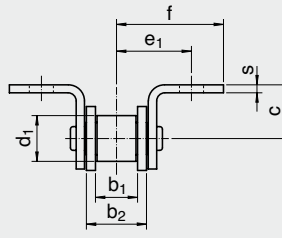
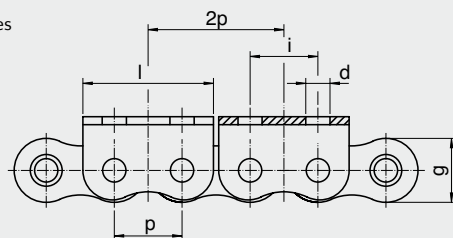
iwis reference	ISO	Inner width b1 min. (mm)	Roller Ø d1 max. (mm)	Pin Ø d2 max. (mm)	Pin length a1 max. (mm)	Plate height g (mm)	Transverse pitch e (mm)	Breaking strength min. (N)	c (mm)	d (mm)	Attachment dimension **				
											e ₁ (mm)	f (mm)	i (mm)	l (mm)	s (mm)
CF Stainless Steel Chains with wide bent attachments															
G 67 CF*	06 B-1	5.72	6.35	3.28	13.5	8.2	-	6,400	5.7	3.2	9.8	13.2	9.525	18.2	1.1
D 67 CF*	06 B-2	5.72	6.35	3.28	23.8	8.2	10.24	11,000	5.7	3.2	9.8	13.2	9.525	-	1.1
L 85 CF	08 B-1	7.75	8.51	4.45	17.0	11.8	-	12,500	10.0	4.5	13.1	19.0	12.7	23.2	1.5
D 85 CF	08 B-2	7.75	8.51	4.45	30.8	11.8	13.92	22,000	10.0	4.5	13.1	19.0	12.7	-	1.5
M 106 CF	10 B-1	9.65	10.16	5.08	19.6	14.7	-	16,000	10.0	5.5	16.7	27.0	15.9	28.5	1.7
D 106 CF	10 B-2	9.65	10.16	5.08	36.2	14.7	16.59	29,000	10.0	5.5	16.7	27.0	15.9	-	1.7
M 127 CF	12 B-1	11.68	12.07	5.72	22.7	16.1	-	20,000	11.0	6.6	18.6	29.0	19.1	34.8	1.8
D 127 CF	12 B-2	11.68	12.07	5.72	42.2	16.1	19.46	35,000	11.0	6.6	18.6	29.0	19.1	-	1.8
M 1611 CF	16 B-1	17.02	15.88	8.28	36.1	21.0	-	40,000	18.0	9.0	28.9	42.0	25.4	46.5	3.0
D 1611 CF	16 B-2	17.02	15.88	8.28	67.0	21.0	31.88	85,000	18.0	9.0	28.9	42.0	25.4	-	3.0

* With straight side plates ** Other dimensions also available on request CF = corrosion-free

Design A2
 Bent attachment on one side
 2030.2



Design B2
 Bent attachment on both sides
 2030.2





iwis® CF Stainless Steel Chains with extended pins according to ISO 606

iwis reference	ISO	Inner width b1 min. (mm)	Roller-Ø d1 max. (mm)	Pin Ø d2 max. (mm)	Pin length a1 max. (mm)	Conveyor rivet length L1 max. (mm)	Conveyor rivet length L2 max. (mm)	Pin lengths max.			Breaking strength min. (N)
								l ₁ (mm)	l ₂ (mm)	l ₃ (mm)	
CF Stainless Steel Chains with extended pins											
G 67 CF*	06 B-1	5.72	6.35	3.28	13.5	23.2	33.5	10.9	21.2	11.2	6,400
L 85 CF	08 B-1	7.75	8.51	4.45	17.0	30.9	44.9	15.2	29.2	15.2	12,500
M 106 CF	10 B-1	9.65	10.16	5.08	19.6	36.2	52.8	17.9	34.5	17.9	16,000
M 127 CF	12 B-1	11.68	12.07	5.72	22.7	42.8	61.3	20.7	40.2	20.9	20,000
M 1611 CF	16 B-1	17.02	15.88	8.28	36.1	67.0	98.9	33.1	65.0	33.6	40,000

* With straight side plates CF = corrosion-free For missing dimensions see Standard CF Chains.

