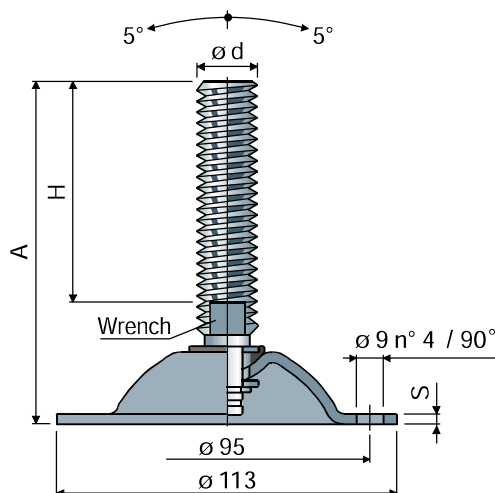


Adjustable feet

(base in steel)

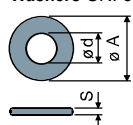
Part. **96** Ø **113**



| Spindle measures in mm | | | | Spindle material | | Max static load (N) |
|------------------------|-----|-----|--------|------------------------|-------------------------------|-----------------------------------|
| $\varnothing d$ | A | H | Wrench | Zinc plated steel Code | Stainless steel AISI 304 Code | |
| M16 | 100 | 58 | 13 | 96 / 7562 | 96 / 7563 | 15000 (zinc plated) S = 3,5 |
| | 161 | 119 | 13 | 96 / 7916 | 96 / 7917 | |
| | 187 | 145 | 13 | 96 / 7564 | 96 / 7565 | |
| | 243 | 201 | 13 | 96 / 7566 | 96 / 7567 | |
| M18 | 199 | 157 | 15 | 96 / 82138 | 96 / 82139 | |
| | 152 | 107 | 17 | 96 / 7568 | 96 / 7569 | |
| M20 | 180 | 135 | 17 | 96 / 7570 | 96 / 7571 | |
| | 202 | 157 | 17 | 96 / 7572 | 96 / 7573 | |
| | 235 | 190 | 17 | 96 / 83232 | 96 / 83233 | |
| | 283 | 238 | 17 | 96 / 83234 | 96 / 83235 | |
| M24 | 138 | 90 | 19 | 96 / 7574 | 96 / 7575 | 10000 (AISI 304) S = 3 |
| | 175 | 127 | 19 | 96 / 7576 | 96 / 7577 | |
| | 210 | 162 | 19 | 96 / 7578 | 96 / 7579 | |
| | 250 | 202 | 19 | 96 / 83236 | 96 / 83237 | |
| M30 | 173 | 125 | 24 | 96 / 7580 | 96 / 7581 | |
| | 233 | 185 | 24 | 96 / 7582 | 96 / 7583 | |

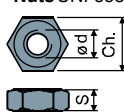
Box quantity: 8 pieces.

Washers UNI 6592-69 - Box quantity: 24 pieces.



| $\varnothing M$ | M16 | M20 | M24 | M30 |
|-------------------------|------|------|------|------|
| Smm | 3 | 3 | 4 | 4 |
| $\varnothing A$ mm | 30 | 37 | 44 | 56 |
| Zinc plated steel codes | 7289 | 7290 | 7293 | 7295 |
| Stainless steel codes | 7291 | 7292 | 7294 | 7296 |

Nuts UNI 5588-65 - Box quantity: 24 pieces.



| $\varnothing d$ | M16 | M20 | M24 | M30 |
|-------------------------|------|------|------|------|
| Smm | 13 | 16 | 19 | 24 |
| Ch. mm | 24 | 30 | 36 | 46 |
| Zinc plated steel codes | 7275 | 7276 | 7279 | 7281 |
| Stainless steel codes | 7277 | 7278 | 7280 | 7282 |

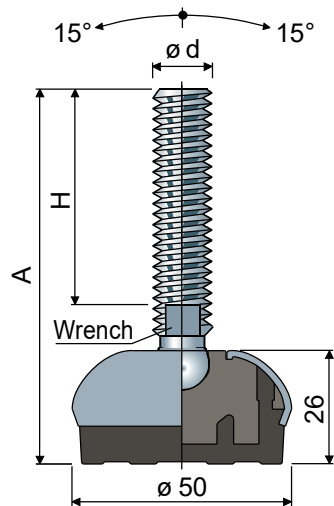
On request

- Spindles with: Sunk hexagon head • second wrench seat head • hexagon wrench seat • threads with other pitches and lengths • stainless steel AISI 316.
- Box quantity: Not standard.
- Assembling of: Nuts • washers.

Articulated feet, sanitizable

(base in stainless steel)

Ø 50 Part. **113**



| Spindle measures in mm | | | | Spindle and base in stainless steel AISI 304 | | Max static load (N) |
|------------------------|-----|-----|--------|--|-------|---------------------|
| ød | A | H | Wrench | Code | | |
| M8 | 80 | 45 | 6 | 113 / 83791 | 11000 | |
| | 100 | 65 | 6 | 113 / 83792 | | |
| | 142 | 107 | 6 | 113 / 83793 | | |
| M10 | 71 | 35 | 8 | 113 / 83794 | 12000 | |
| | 107 | 70 | 8 | 113 / 83795 | | |
| | 152 | 115 | 8 | 113 / 83796 | | |
| M12 | 82 | 43 | 10 | 113 / 83797 | 13000 | |
| | 102 | 63 | 10 | 113 / 83798 | | |
| | 116 | 77 | 10 | 113 / 83799 | | |
| | 132 | 93 | 10 | 113 / 83822 | | |
| | 162 | 123 | 10 | 113 / 83823 | | |
| M14 | 102 | 61 | 12 | 113 / 83824 | 14000 | |
| | 132 | 91 | 12 | 113 / 83825 | | |
| | 157 | 116 | 12 | 113 / 83826 | | |
| M16 | 103 | 60 | 13 | 113 / 83784 | 15000 | |
| | 133 | 90 | 13 | 113 / 83785 | | |
| | 148 | 105 | 13 | 113 / 83786 | | |
| | 168 | 125 | 13 | 113 / 83787 | | |
| | 198 | 155 | 13 | 113 / 83788 | | |
| | 208 | 165 | 13 | 113 / 83789 | | |
| | 248 | 205 | 13 | 113 / 83790 | | |

| Spindle measures in inches | | | | Spindle and base in stainless steel AISI 304 | | Max static load (N) |
|----------------------------|-------|----|--------|--|-------|---------------------|
| ød | A | H | Wrench | Code | | |
| 1/2"-13 UNC | 5,19" | 4" | 7/16" | 113 / 83827 | 13000 | |
| 5/8"-11 UNC | 8,70" | 7" | 1/2" | 113 / 83800 | 15000 | |
| 3/4"-10 UNC | 8,78" | 7" | 5/8" | 113 / 83801 | 19000 | |

Material: Internal part made of reinforced polyamide; external covering made of stainless steel AISI 304; anti-slip pad made of thermoplastic rubber 68 Shore black colour.

Box quantity: 8 pieces.

Features: Comoulded anti-slip pad allows a perfect adherence with steel base. Consequent absence of internal cavities makes foot extremely cleanable.

Washers UNI 6592-69 - Box quantity: 24 pieces.

| øM | M8 | M10 | M12 | M14 | M16 |
|-----------------------|------|------|------|------|------|
| Smm | 1,6 | 2 | 2,5 | 2,5 | 3 |
| øAmm | 17 | 21 | 24 | 28 | 30 |
| Stainless steel codes | 7637 | 7286 | 7287 | 7288 | 7291 |

Nuts UNI 5588-65 - Box quantity: 24 pieces.

| ød | M8 | M10 | M12 | M14 | M16 |
|-----------------------|------|------|------|------|------|
| Smm | 6,5 | 8 | 10 | 11 | 13 |
| Ch. mm | 13 | 17 | 19 | 22 | 24 |
| Stainless steel codes | 7635 | 7272 | 7273 | 7274 | 7277 |

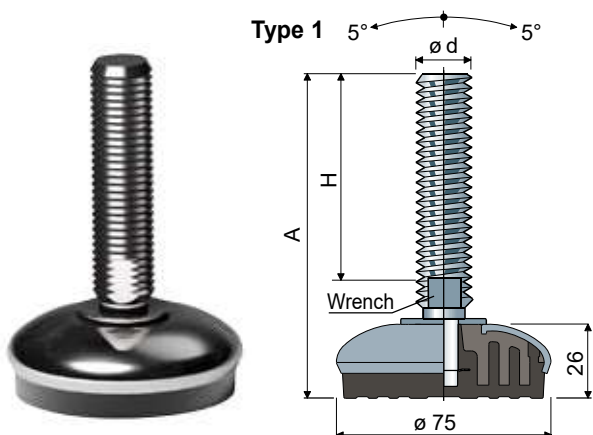
On request

- Spindles with: Sunk hexagon head • second wrench seat head • hexagon wrench seat • threads with other pitches and lengths • stainless steel AISI 316.
- Anti-slip pads: White color.
- Box quantity: Not standard.
- Assembling of: Nuts • washers.

Adjustable feet, sanitizable

(base in stainless steel)

Part. **108** \varnothing **75**



| Type 1 | | | | | |
|------------------------|-----|-----|--------|---|---------------------|
| Spindle measures in mm | | | | | |
| $\varnothing d$ | A | H | Wrench | Spindle and base in stainless steel AISI 304 Code | Max static load (N) |
| M12 | 109 | 70 | 10 | 108 / 83540 | 17000 |
| M14 | 148 | 108 | 12 | 108 / 83541 | |
| M16 | 102 | 58 | 13 | 108 / 83542 | 24000 |
| | 163 | 119 | 13 | 108 / 83543 | |
| | 189 | 145 | 13 | 108 / 83544 | |
| | 245 | 201 | 13 | 108 / 83545 | |
| M18 | 201 | 157 | 15 | 108 / 83546 | |
| | 153 | 107 | 17 | 108 / 83547 | |
| | 181 | 135 | 17 | 108 / 83548 | |
| M20 | 203 | 157 | 17 | 108 / 83549 | |
| | 236 | 190 | 17 | 108 / 83550 | |
| | 284 | 238 | 17 | 108 / 83551 | |
| M24 | 139 | 90 | 19 | 108 / 83552 | |
| | 176 | 127 | 19 | 108 / 83553 | |
| | 211 | 162 | 19 | 108 / 83554 | |
| | 250 | 201 | 19 | 108 / 83555 | |
| M30 | 174 | 125 | 24 | 108 / 83556 | |
| | 234 | 185 | 24 | 108 / 83557 | |

Material: Internal part made of reinforced polyamide; external covering made of stainless steel AISI 304; anti-slip pad made of thermoplastic rubber 68 Shore black colour.
Box quantity: 8 pieces.

Features: Comoulded anti-slip pad allows a perfect adherence with steel base. Consequent absence of internal cavities makes foot extremely cleanable. The threaded insert guarantees the protection of the spindle thread.

Washers UNI 6592-69 - Box quantity: 24 pieces.

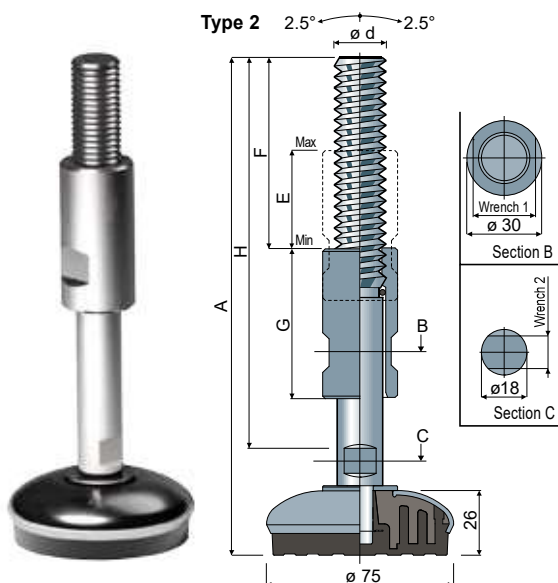
| $\varnothing M$ | M12 | M14 | M16 | M20 | M24 | M30 |
|-----------------------|------|------|------|------|------|------|
| Smm | 2,5 | 2,5 | 3 | 3 | 4 | 4 |
| $\varnothing A$ mm | 24 | 28 | 30 | 37 | 44 | 56 |
| Stainless steel codes | 7287 | 7288 | 7291 | 7292 | 7294 | 7296 |

Nuts UNI 5588-65 - Box quantity: 24 pieces.

| $\varnothing d$ | M12 | M14 | M16 | M20 | M24 | M30 |
|-----------------------|------|------|------|------|------|------|
| Smm | 10 | 11 | 13 | 16 | 19 | 24 |
| Ch. mm | 19 | 22 | 24 | 30 | 36 | 46 |
| Stainless steel codes | 7273 | 7274 | 7277 | 7278 | 7280 | 7282 |

On request

- Spindles with: Sunk hexagon head • second wrench seat head • hexagon wrench seat • threads with other pitches and lengths • stainless steel AISI 316.
- Anti-slip pads: White color.
- Box quantity: Not standard.
- Assembling of: Nuts • washers.



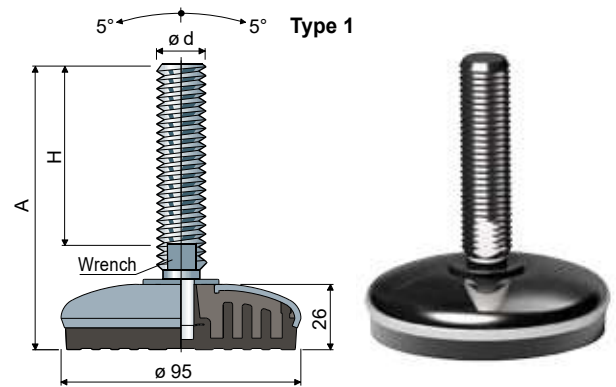
| Type 2 | | | | | | | | | |
|------------------------|-----|-----|-----|----|-----|----------|----------|---|---------------------|
| Spindle measures in mm | | | | | | | | | |
| $\varnothing d$ | A | H | F | E | G | Wrench 1 | Wrench 2 | Spindle and base in stainless steel AISI 304 Code | Max static load (N) |
| M20 | 200 | 159 | 73 | 39 | 60 | 25 | 13 | 108 / 84134 | 24000 |
| | 260 | 220 | 100 | 78 | 100 | 25 | 13 | 108 / 84190 | |

Adjustable feet, sanitizable

(base in stainless steel)

Ø 95 Part. 103

| Type 1 | | | | | |
|------------------------|-----|-----|--------|---|---------------------|
| Spindle measures in mm | | | | | |
| ød | A | H | Wrench | Spindle and base in stainless steel AISI 304 Code | Max static load (N) |
| M12 | 109 | 70 | 10 | 103 / 83043 | 17000 |
| M14 | 148 | 108 | 12 | 103 / 83052 | 27000 |
| | 102 | 58 | 13 | 103 / 83053 | |
| | 163 | 119 | 13 | 103 / 83054 | |
| M16 | 189 | 145 | 13 | 103 / 83055 | 27000 |
| | 245 | 201 | 13 | 103 / 83056 | |
| | 201 | 157 | 15 | 103 / 83057 | |
| M18 | 153 | 107 | 17 | 103 / 83058 | 27000 |
| | 181 | 135 | 17 | 103 / 83059 | |
| | 203 | 157 | 17 | 103 / 83060 | |
| M20 | 236 | 190 | 17 | 103 / 83061 | 27000 |
| | 284 | 238 | 17 | 103 / 83062 | |
| | 139 | 90 | 19 | 103 / 83063 | |
| M24 | 176 | 127 | 19 | 103 / 83064 | 27000 |
| | 211 | 162 | 19 | 103 / 83065 | |
| | 250 | 201 | 19 | 103 / 83066 | |
| M30 | 174 | 125 | 24 | 103 / 83067 | 27000 |
| | 234 | 185 | 24 | 103 / 83068 | |



Material: Internal part made of reinforced polyamide; external covering made of stainless steel AISI 304; anti-slip pad made of thermoplastic rubber 68 Shore black colour.
Box quantity: 8 pieces.

Features: Comoulded anti-slip pad allows a perfect adherence with steel base. Consequent absence of internal cavities makes foot extremely cleanable. The threaded insert guarantees the protection of the spindle thread.

Washers UNI 6592-69 - Box quantity: 24 pieces.

| øM | M12 | M14 | M16 | M20 | M24 | M30 |
|-----------------------|------|------|------|------|------|------|
| Smm | 2,5 | 2,5 | 3 | 3 | 4 | 4 |
| øA mm | 24 | 28 | 30 | 37 | 44 | 56 |
| Stainless steel codes | 7287 | 7288 | 7291 | 7292 | 7294 | 7296 |

Nuts UNI 5588-65 - Box quantity: 24 pieces.

| ød | M12 | M14 | M16 | M20 | M24 | M30 |
|-----------------------|------|------|------|------|------|------|
| Smm | 10 | 11 | 13 | 16 | 19 | 24 |
| Ch, mm | 19 | 22 | 24 | 30 | 36 | 46 |
| Stainless steel codes | 7273 | 7274 | 7277 | 7278 | 7280 | 7282 |

On request

- Spindles with: Sunk hexagon head • second wrench seat head • hexagon wrench seat • threads with other pitches and lengths • stainless steel AISI 316.
- Anti-slip pads: White color.
- Box quantity: Not standard.
- Assembling of: Nuts • washers.

| Type 2 | | | | | | | | | |
|------------------------|-----|-----|-----|----|-----|----------|----------|---|---------------------|
| Spindle measures in mm | | | | | | | | | |
| ød | A | H | F | E | G | Wrench 1 | Wrench 2 | Spindle and base in stainless steel AISI 304 Code | Max static load (N) |
| M20 | 200 | 159 | 73 | 39 | 60 | 25 | 13 | 103 / 83465 | 27000 |
| | 260 | 220 | 100 | 78 | 100 | 25 | 13 | 103 / 84191 | |

